

PEDIMAT AA WITH ALUMINUM TAPERED ANGLE FRAME

INSERT STYLE:

INSERT COLOR:

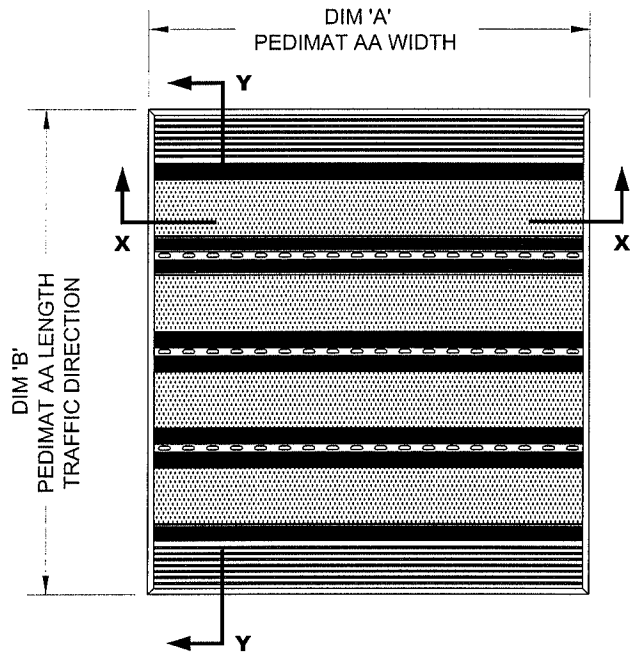
CATALOG NUMBER: M2

PART NUMBER:

NO.	REVISION	DATE	BY
NO.	F&F RELEASE	DATE	BY

EXTERIOR CARPET M2EC 19C005XXX	HEAVY-DUTY CARPET M2HC 19C010XXX	CARPET M2CP 19C008XXX	VINYL M2V 19V002XXX	VINYL-ABRASIVE M2VA 19A003XXX	SERRATED ALUM. INSERT M2SAI 19A001XXX	POURED ABRASIVE INSERT M2PA 19M002XXX

PEDIMAT AA INSERT STYLES

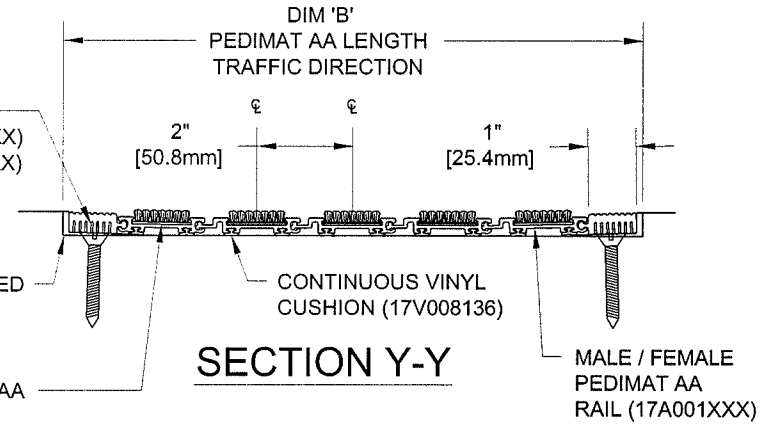


TYPICAL PLAN VIEW

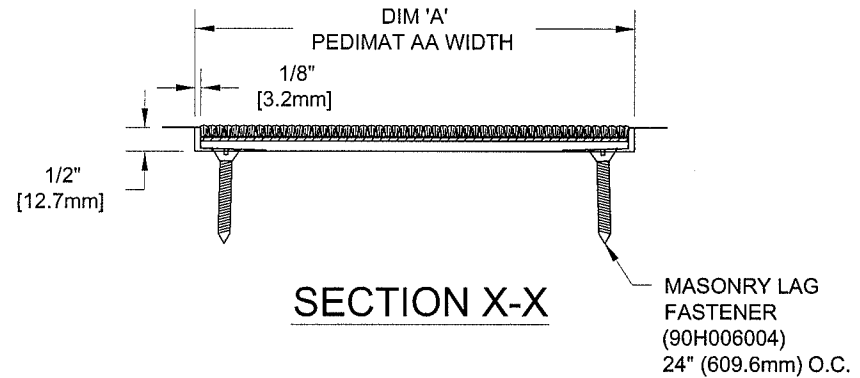
SQUARE END VINYL
1" (25.4mm) WIDE (17V013XXX)
2" (50.8mm) WIDE (17V014XXX)
TO BE FIELD TRIMMED

ALUMINUM TAPERED ANGLE FRAME (16A051XXX)

FEMALE PEDIMAT AA RAIL (17A002XXX)



SECTION Y-Y



SECTION X-X

NOTES:

*ALL SURFACES IN CONTACT WITH MASONRY ARE TO RECEIVE A COAT OF ZINC CHROMATE PRIMER

*PLEASE VERIFY TRAFFIC DIRECTION

*PEDIMAT AA SHALL BE ABLE TO SUPPORT A 300 LB. ROLLING LOAD. LARGER LOADING MAY BE ACCOMMODATED. CONTACT C/S SALES WITH SPECIFIC LOADING REQUIREMENTS.

*MAX. SINGLE GRID SIZE NOT TO EXCEED 12'-0" (3.66M) IN WIDTH (DIM "A")

*DUE TO 2" [50.8mm] MODULE OF PEDIMAT AA, INSIDE OF FRAME DIMENSION SHOULD BE CHANGED ONLY IN INCREMENTS OF 2" [50.8mm] TO AVOID THE USE OF EXTRUDED END VINYLs.

*ADDITIONAL SPECIFICATIONS ARE CONTAINED IN THE LATEST C/S CATALOG OR AT C-SGROUP.COM AND ARE CONSIDERED PART OF THIS TRANSMITTAL.

C/S GROUP

PLEASE VERIFY ALL	QTY	MARK #	LOCATION	MODEL	DIM 'A' WIDTH	DIM 'B' WIDTH	FINISH	NOTES

PROJECT:		
LOCATION:		
CONTRACTOR:		
AGENT:		SHT:
DRG. BY:	DATE:	JOB NO.: