

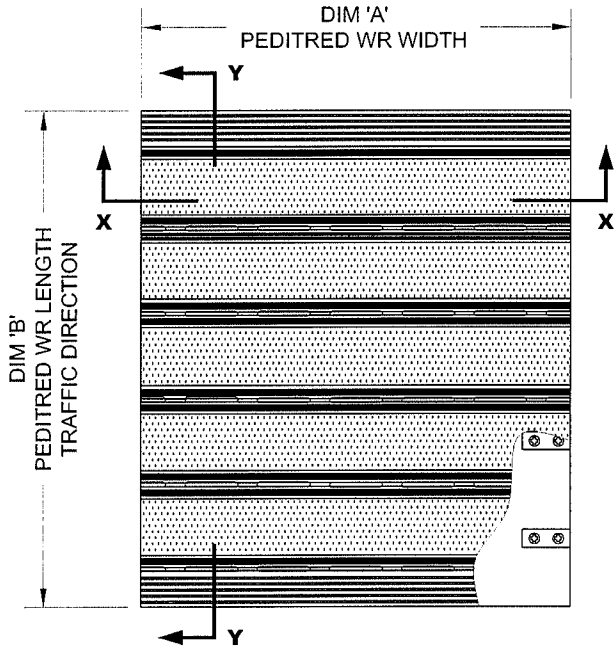
PEDITRED WR WITH NO FRAME

INSERT STYLE: INSERT COLOR: CATALOG NUMBER: G5 PART NUMBER:

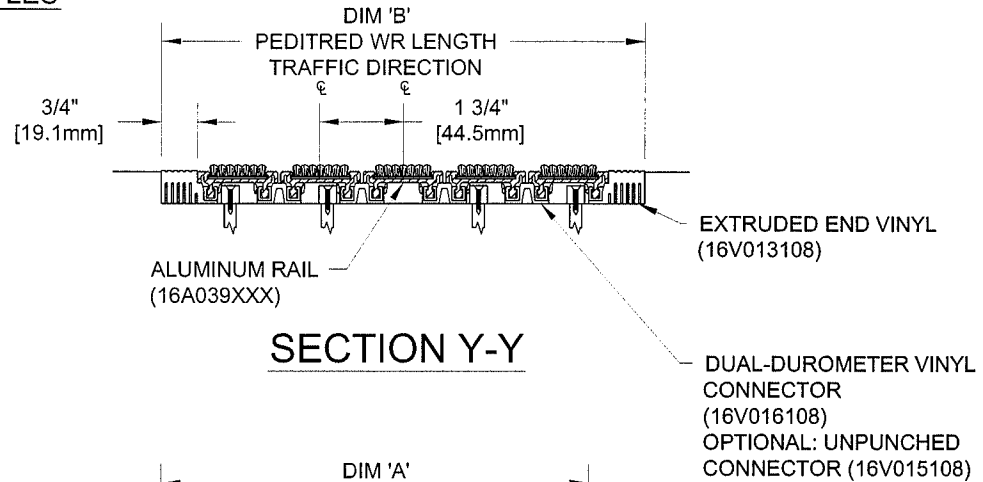
| | | | |
|-----|-------------|------|----|
| NO. | REVISION | DATE | BY |
| NO. | F&F RELEASE | DATE | BY |
| | | | |
| | | | |



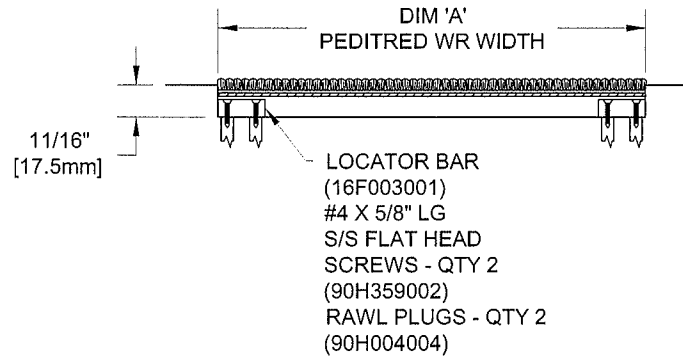
PEDITRED WR INSERT STYLES



TYPICAL PLAN VIEW



SECTION Y-Y



SECTION X-X

NOTES:

*ALL SURFACES IN CONTACT WITH MASONRY ARE TO RECEIVE A COAT OF ZINC CHROMATE PRIMER

*MAX. SINGLE GRID SIZE NOT TO EXCEED 12'-0" (3.66M) IN WIDTH (DIM 'A')

*ADDITIONAL SPECIFICATIONS ARE CONTAINED IN THE LATEST C/S CATALOG OR AT C-SGROUP.COM AND ARE CONSIDERED PART OF THIS TRANSMITTAL.

*PLEASE VERIFY TRAFFIC DIRECTION

*DUE TO 1-3/4" MODULE OF PEDITRED WR, INSIDE OF FRAME DIMENSION SHOULD BE CHANGED ONLY IN INCREMENTS OF 1-3/4" [44.5mm] TO AVOID THE USE OF EXTRUDED END VINYL.

*SUPPLIED IN STANDARD MILL FINISH. (OPTIONAL FINISHES AVAILABLE AT ADDITIONAL COST)

*PEDITRED WR SHALL BE ABLE TO SUPPORT A 1000 LB. ROLLING LOAD. LARGER LOADING MAY BE ACCOMMODATED. CONTACT C/S SALES WITH SPECIFIC LOADING REQUIREMENTS.



| QTY | MARK # | LOCATION | MODEL | DIM 'A' WIDTH | DIM 'B' WIDTH | FINISH | NOTES |
|-----|--------|----------|-------|---------------|---------------|--------|-------|
| | | | | | | | |
| | | | | | | | |
| | | | | | | | |

| | | |
|-------------|-------|----------|
| PROJECT: | | |
| LOCATION: | | |
| CONTRACTOR: | | |
| AGENT: | | SHT: |
| DRG. BY: | DATE: | JOB NO.: |

PLEASE VERIFY ALL