

5/8" GRIDLINE WITH LEVEL BASE FRAME AND HIDDEN LOCK DOWNS

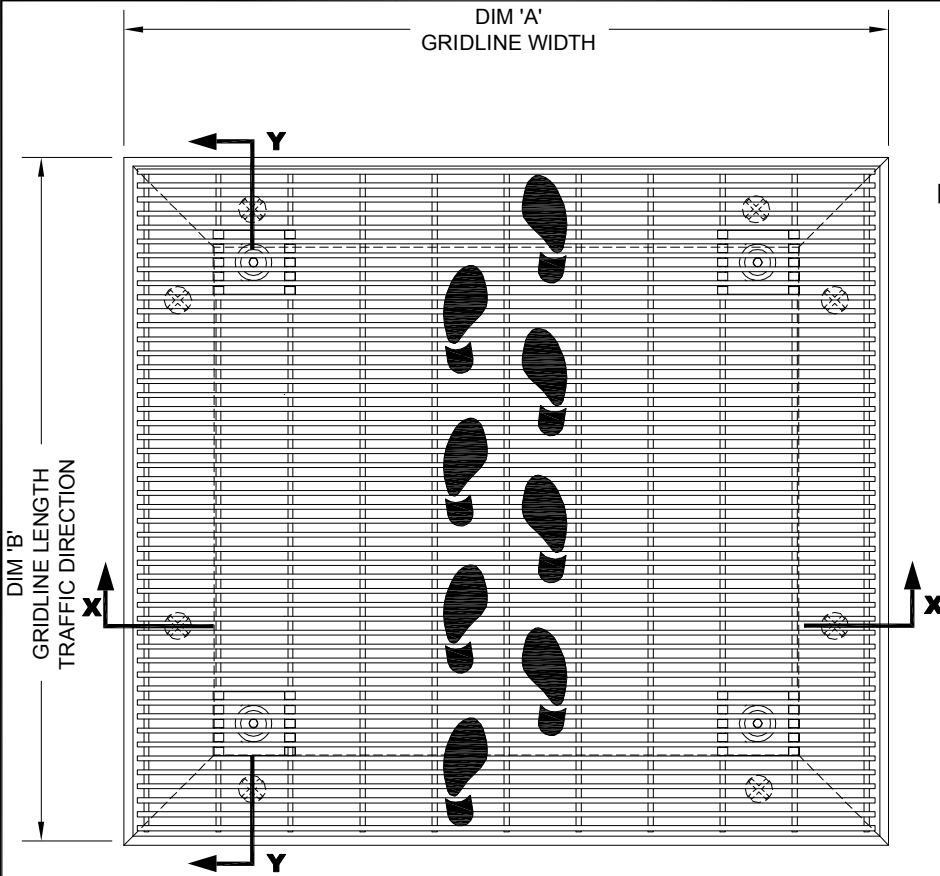
INSERT STYLE: N/A

INSERT COLOR: N/A

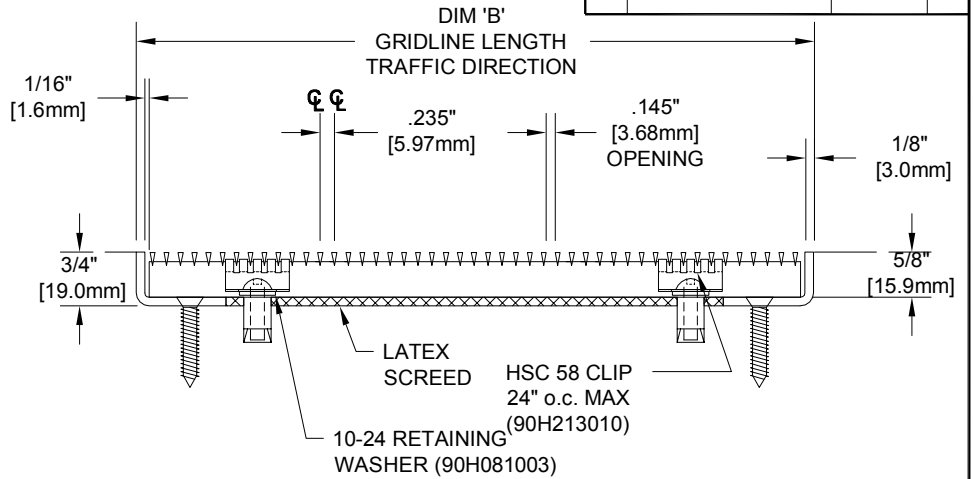
CATALOG NUMBER: G6

PART NUMBER:

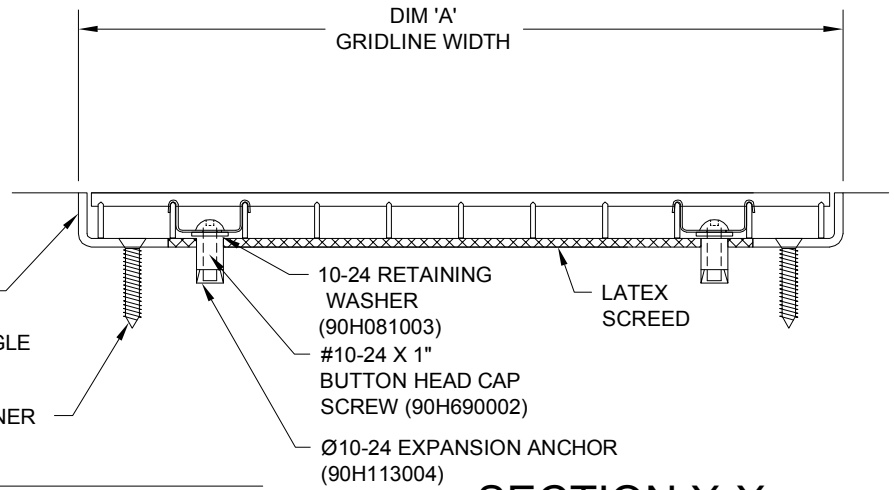
|     |             |      |    |
|-----|-------------|------|----|
| NO. | REVISION    | DATE | BY |
| NO. | F&F RELEASE | DATE | BY |
|     |             |      |    |
|     |             |      |    |



TYPICAL PLAN VIEW



SECTION Y-Y



SECTION X-X

NOTES:

\*MAX. SINGLE GRID SIZE NOT TO EXCEED 8'-0" [2.438M] IN WIDTH (DIM 'A') OR 4'-0" [1.22M] IN LENGTH (DIM 'B')

\*GRIDS SHALL BE ABLE TO SUPPORT A 500LB ROLLING LOAD.

\* SURFACE WIRE SPACING PROVIDES A 57.7% EFFECTIVE OPEN AREA FOR DIRT AND MOISTURE REMOVAL.

\*ALL SURFACE WIRES AND SUPPORT BARS ARE ELECTRONICALLY RESISTANCE WELDED TO ENSURE CORRECT WEIGHT BEARING PROPERTIES.

\*\*ADDITIONAL SPECIFICATIONS ARE CONTAINED IN THE LATEST C/S CATALOG OR AT C-SGROUP.COM AND ARE CONSIDERED PART OF THIS TRANSMITTAL.

**CS Construction Specialties™**  
 8808 Route 405 Highway, Muncy PA 17798  
 (800) 233-8493 · Fax: (570) 546-4692 · www.c-sgroup.com

| PLEASE VERIFY ALL | QTY | MARK # | LOCATION | MODEL | DIM 'A' WIDTH | DIM 'B' LENGTH | FRAME FINISH | REMARKS |
|-------------------|-----|--------|----------|-------|---------------|----------------|--------------|---------|
|                   |     |        |          |       |               |                |              |         |
|                   |     |        |          |       |               |                |              |         |
|                   |     |        |          |       |               |                |              |         |

|             |       |          |
|-------------|-------|----------|
| PROJECT:    |       |          |
| LOCATION:   |       |          |
| CONTRACTOR: |       |          |
| AGENT:      |       | SHT:     |
| DRG. BY:    | DATE: | JOB NO.: |